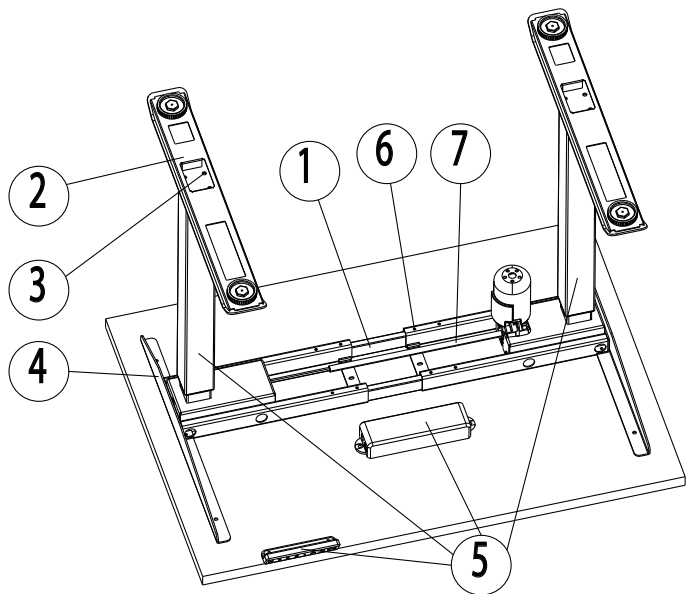
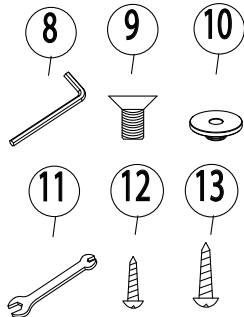


Assembly Instructions

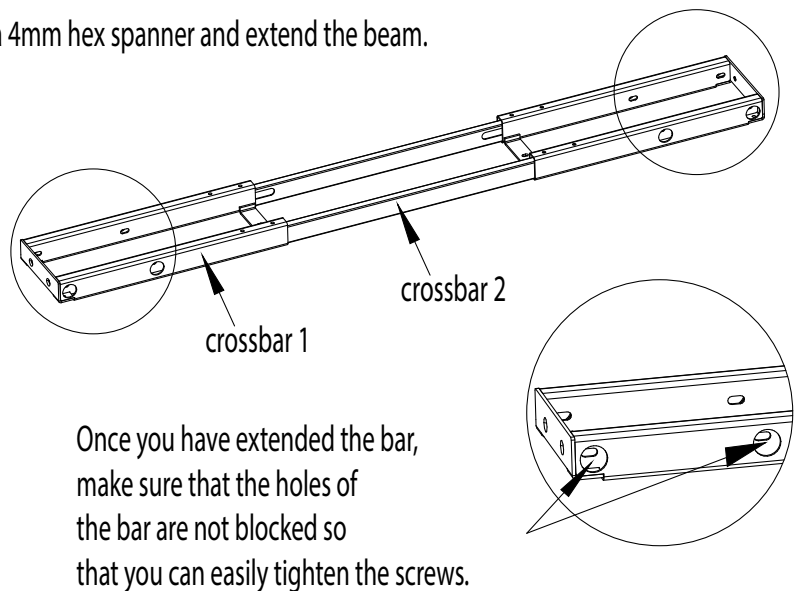
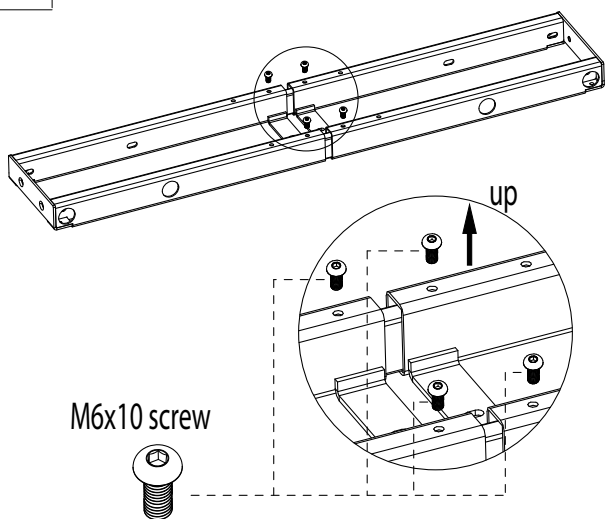
Parts and Tools list

NO.	Name	Qty
1	Crossbar	2
2	Feet	2
3	M6x14 Screw	16
4	Bracket	2
5	2legs,trafo and remote	2
6	M6x10 Screw	8
7	Driveshaft	1set
8	4 mm Hex Spanner	1
9	M6x12 Screw	8
10	Rubber Cushion	6

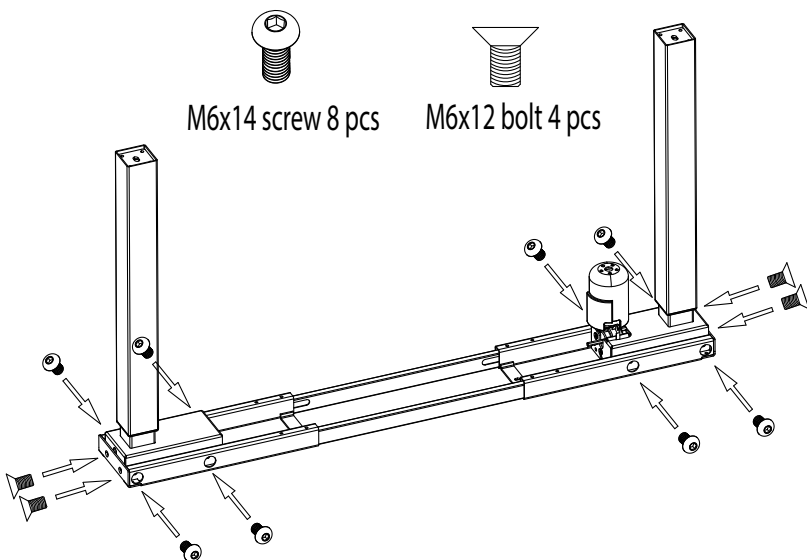
NO.	Name	Qty
11	Spanner	1
12	Screw remote	2
13	Screw worktop	8



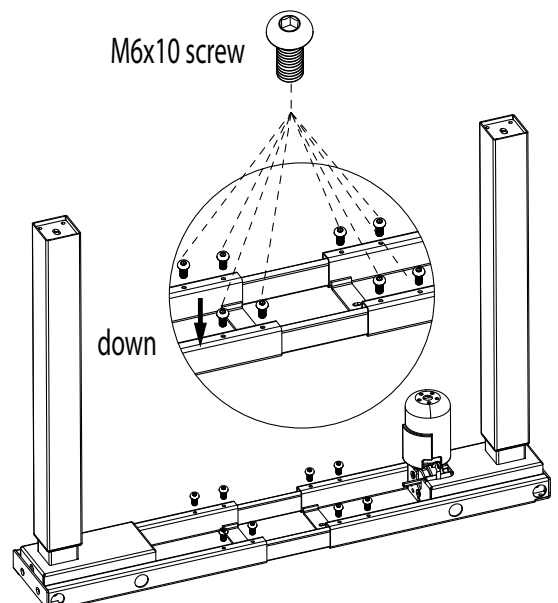
1 Loosen the 4pcs M6*10 screws on the crossbar with a 4mm hex spanner and extend the beam.



2 Fix the lifting leg to the bar with 8 pcs M6*14 screws and 4pcs M6*12 screws

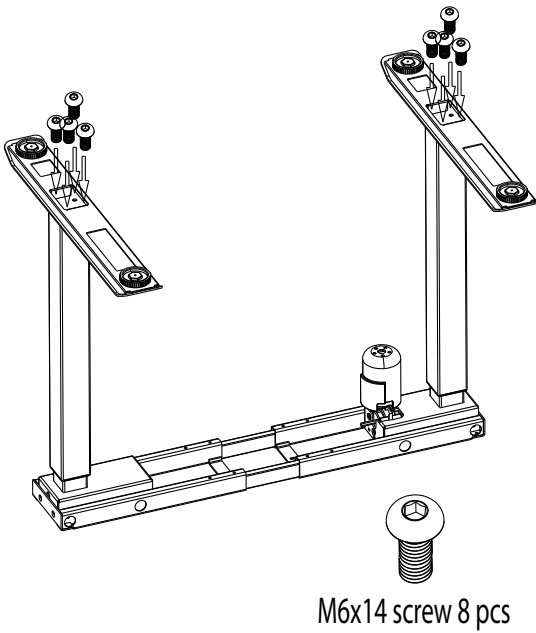


Slide the bar in at the correct desk size and secure the bar with M6*10 screws. (4pcs M6*10 screws in the screw bag)



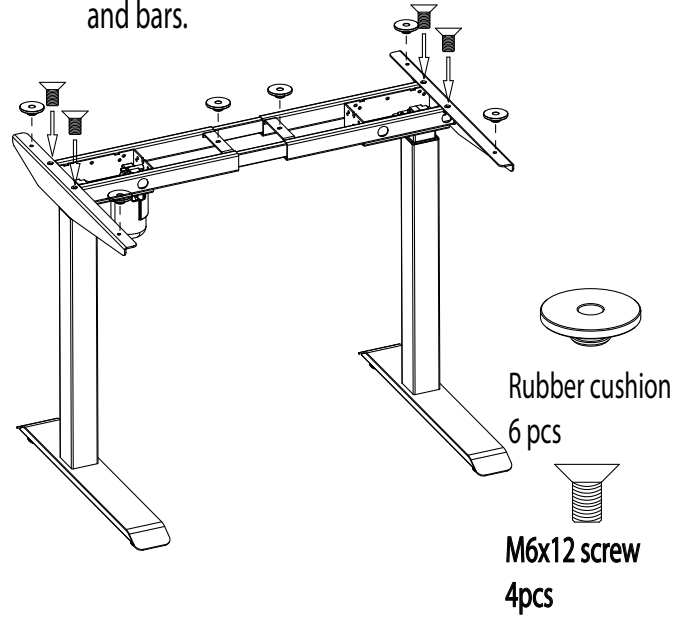
3

Fix the foot on the leg with 8pcs
M6*14 screws.



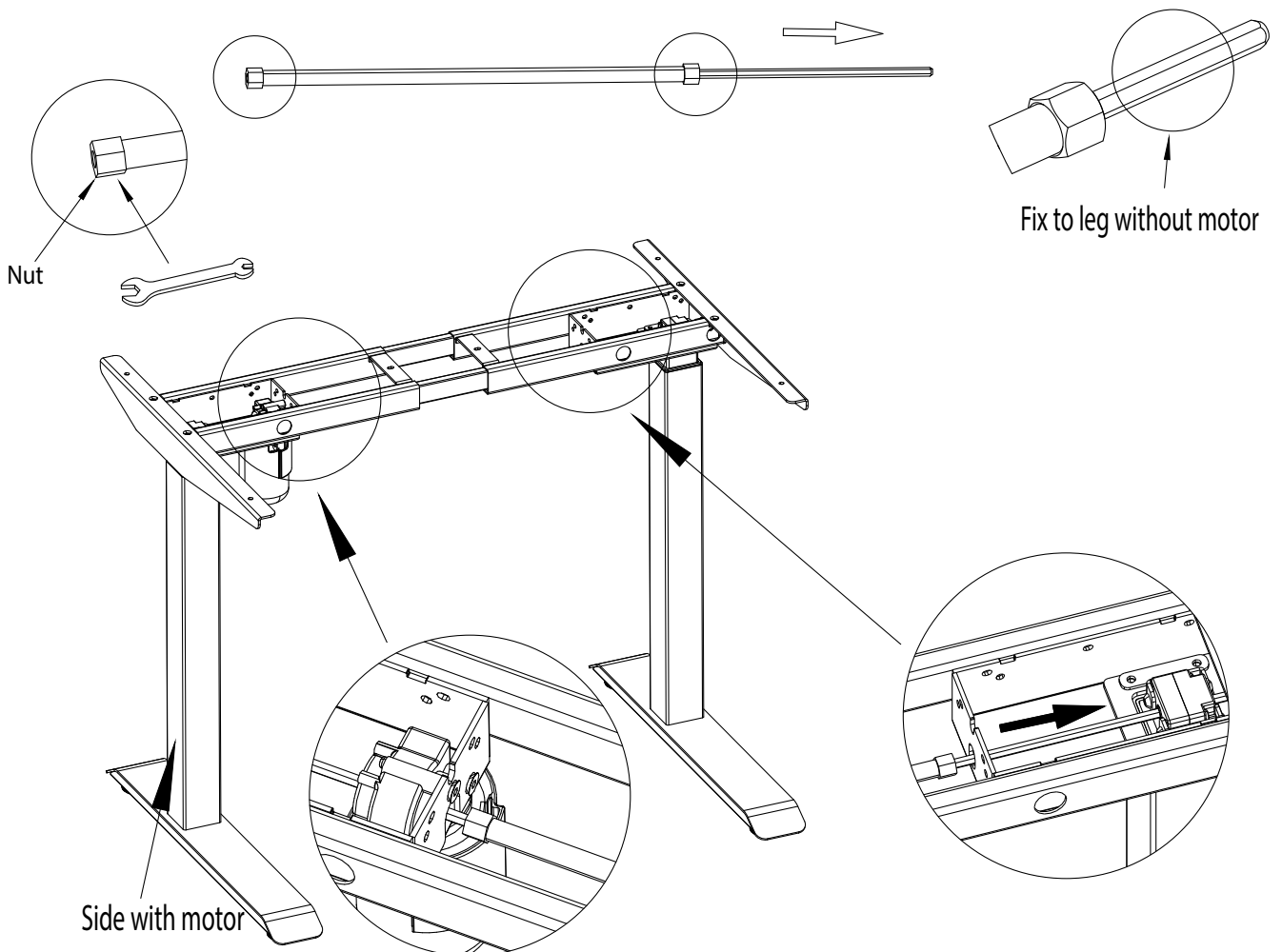
4

Overturn frame and fix the brackets to the crossbar
using 4 of M6*12 screws, and then
fit the rubber cushions to the brackets
and bars.



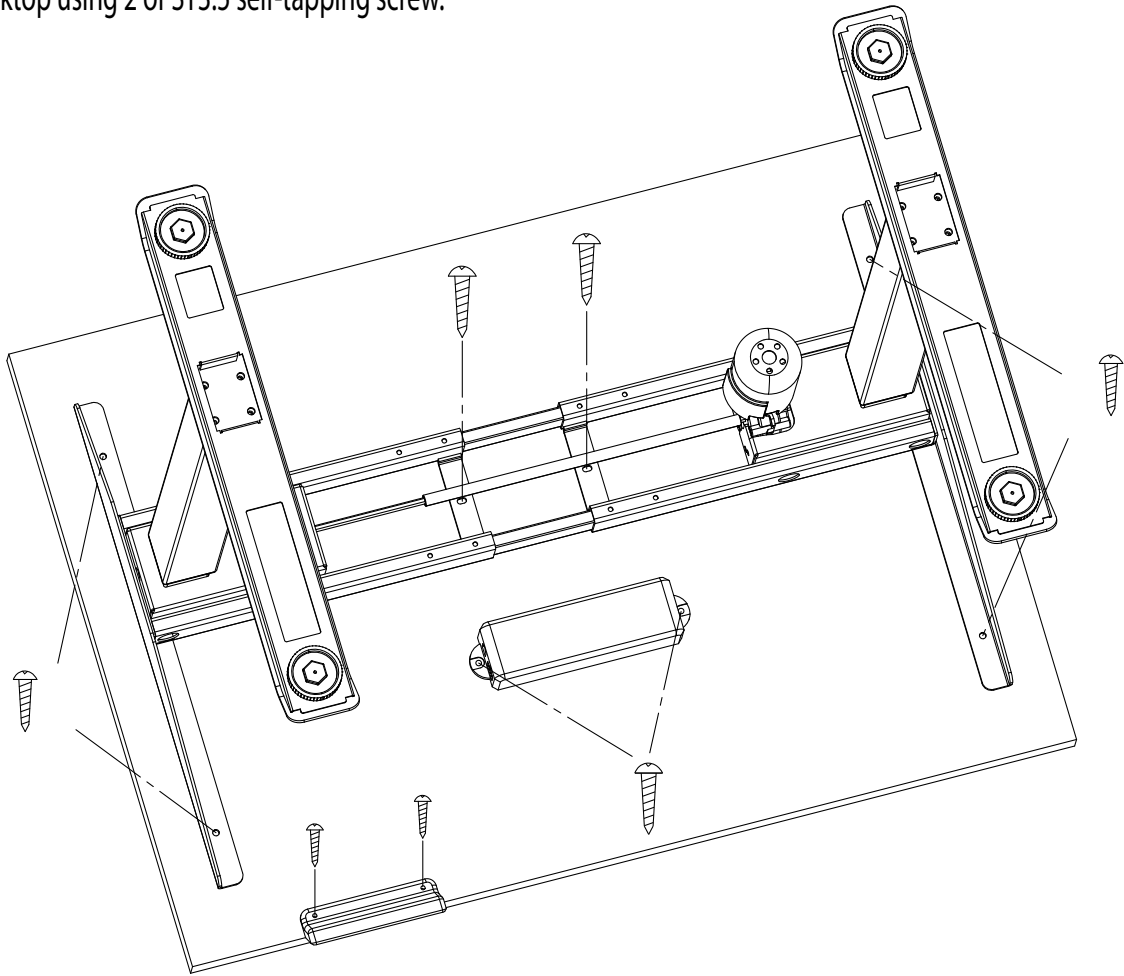
5

Loosen the nut on the transmission rod with a wrench, pull out the hexagon rod inside the transmission rod
(be careful not to pull out one end with slot). Insert the hexagon rod into the gear box of the secondary leg,
and finally lock the two nuts on the transmission rod.



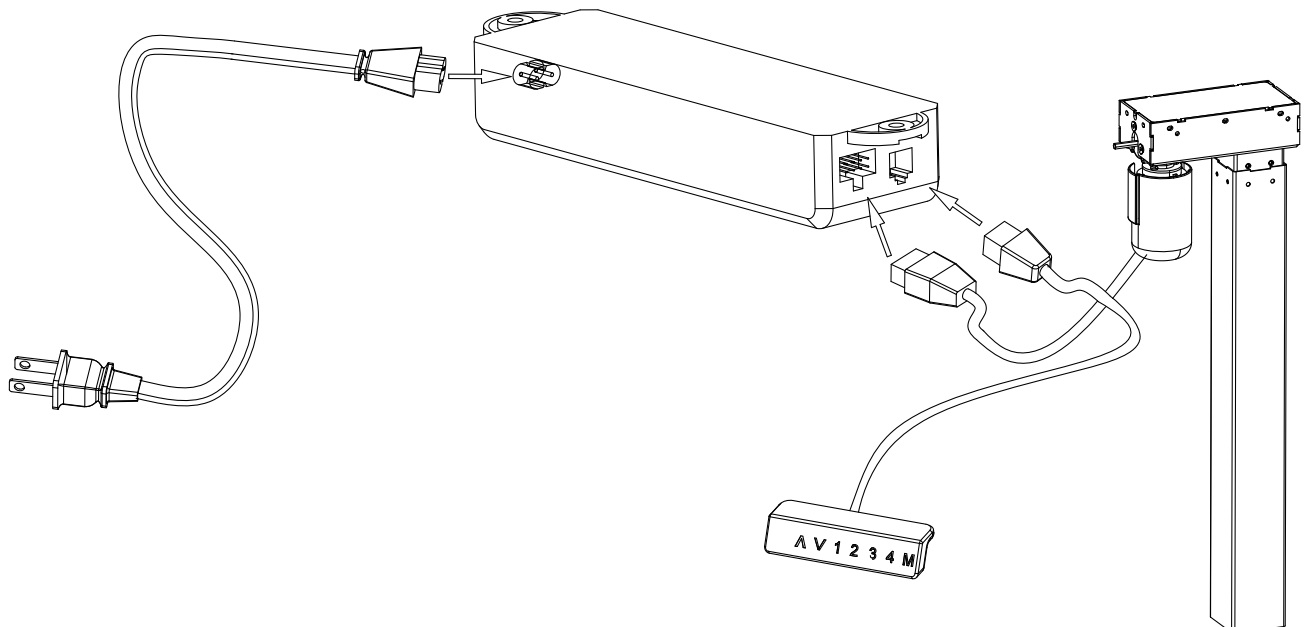
6

Fix the frame and the control box (trafo) to the underside of the desktop using 8 of ST4.8 self-tapping screws, fix handset to the underside of desktop using 2 of ST3.5 self-tapping screw.



7

Connect the (trafo) to the control and to the motor.



Operation Guide

1. System resetten

When we complete the installation of the desk frame, we need to reset the system, to make the system be initialized. Reset as follows: press and hold both «↑» en «↓» buttons at the same time, until the legs are at the lowest point. You will hear a beep, and the display shows the number for the lowest height, then the reset is finished. If the system doesn't work normally when you use it, you will need to repeat the above procedure.

2. Normal Operation

Bring the desk to the desired height when pressing «↑» en «↓» and holding one button.

3. Setting the memory function

When the desk rises to the height which you want to memorize, please press and hold the "M" button till the display flashes and then press "1" button. Position 1 is now memorized. Repeat the above procedure for positions 2, 3 & 4. These four number buttons can memorize four different heights repeatedly. And those data won't be lost in case power is off.

4. The function of metric-inch conversion

The function base on the premise that original keys function unchangeable, procedure as follows:

1. Press the "1""2""M" buttons together for about 5s, display "C-E" (flashing)---then continue to procedure 2,3
2. Press button "1" within 5s, display "C", then switch to metric system CM---go into the general operation
3. Press button "2" within 5s, display "E" then switch to British system Inch----go into the general operation
4. If above procedures no further operate over 5s , then will recover to the previous setting.

Notice

- 1: This product must meet the actual technical parameters in use.
- 2: The system should be away from water and corrosion resistant gas.
- 3: Please contact us or our distributors if there is anything wrong with the product.